

LOCPACK

The world's fastest fully automatic case packer for lockbottom cartons. Also an effective solution for packing 6-corners and many other carton styles.





LOCPACK:

- * Requires only a single operator to achieve maximum output
- * Also reduces physical work-load on the single operator
- * Practical automation for any run length of 50,000 cartons or more
- * Compatible with virtually all folder-gluer makes and models
- * Can increase folder-gluer run speed by 25% to 40% on average, in some cases as much as 100%

Maintenance-free proximity sensor for smooth and reliable speed control



Touch-screen Operator Panel with virtually unlimited recipe storage



Low-consumption compressed air with pressure monitor and warning alert

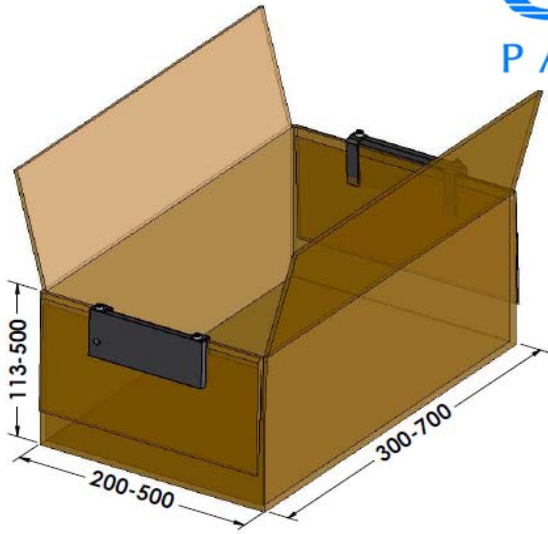


GRAPHIC WEST

PACKAGING MACHINERY, LLC

SHIPPING CASES

Made from sturdy corrugated, solid fiber board or other materials. Regular Slotted Containers (RSC) or Half Slotted Containers (HSC) with either sealed or unsealed bottoms



PACKING CONFIGURATION

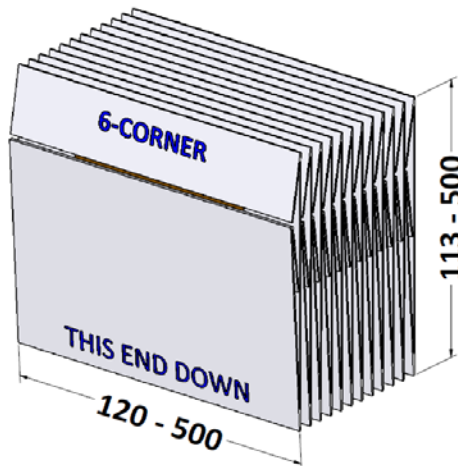
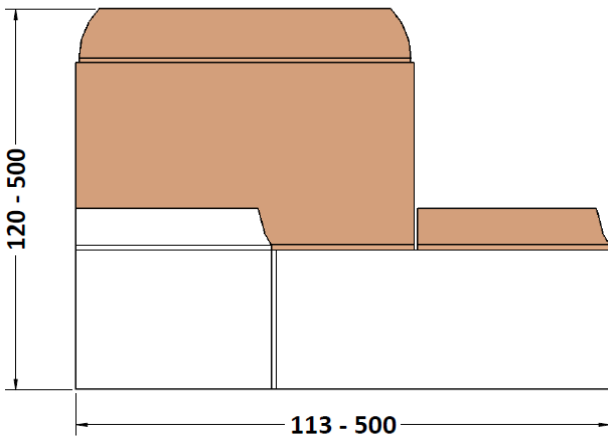
Cartons can be packed all in the same direction or as Alternated batches in a single layer as 1-ROW or 2-ROW* applications

* 2-row applications with alternated batches generally require rigid divider before packing



APPLICATIONS:

Perfect solution for Lockbottom and 6-corner collapsible boxes. Capable of handling many other styles as well. Submit samples for confirmation.



MATERIALS:

Folding Carton paperboard in the range of .010 to .022* (200 gsm to 440* gsm)

* heavier material up to .030 (600 gsm) also possible under certain conditions

OUTPUT: Depending on the speed of the connected Folder-Gluer, up to 200 meters per minute.

LOCPACK DIMENSIONS:	LENGTH	WIDTH	HEIGHT	WEIGHT	SEAWORTHY PACKING
	METRIC UNITS	4800 mm	3700 mm	2500 mm	4536 kg
ENGLISH UNITS	189 inches	145.7 inches	98.4 inches	10,000 lbs.	1,165 ft ³